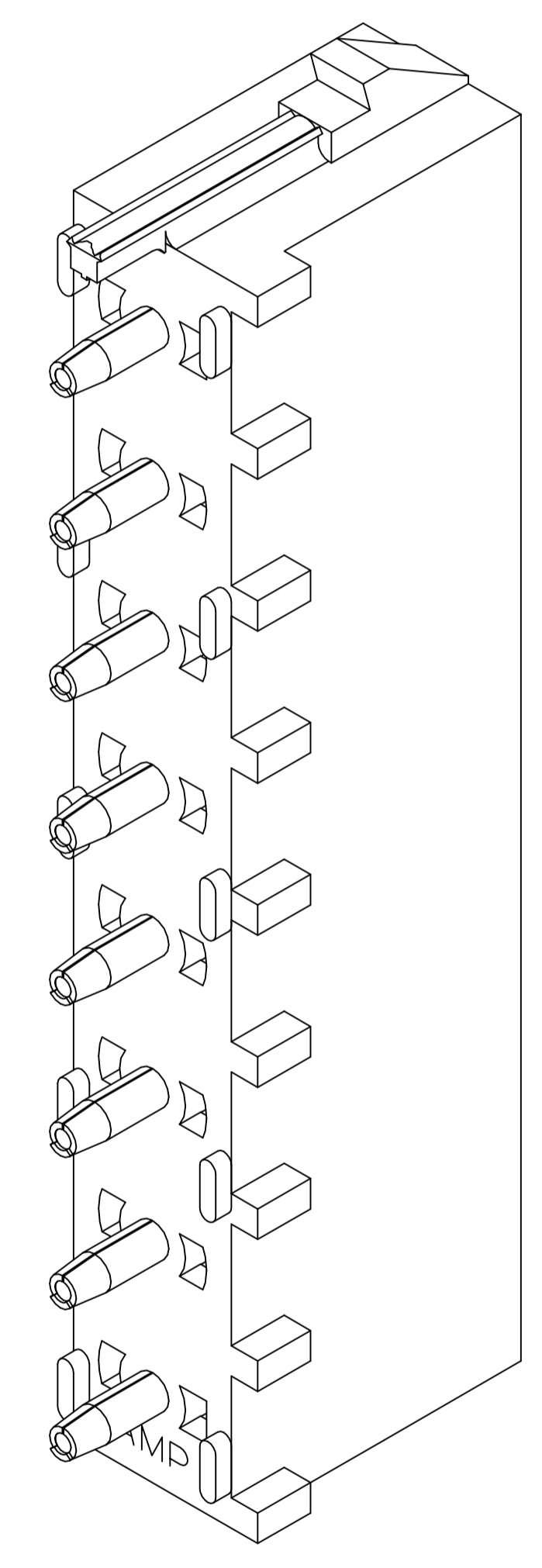
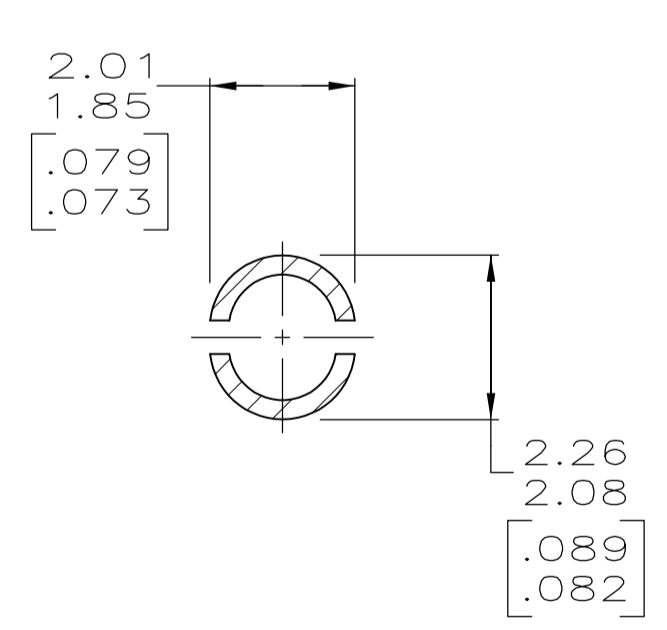
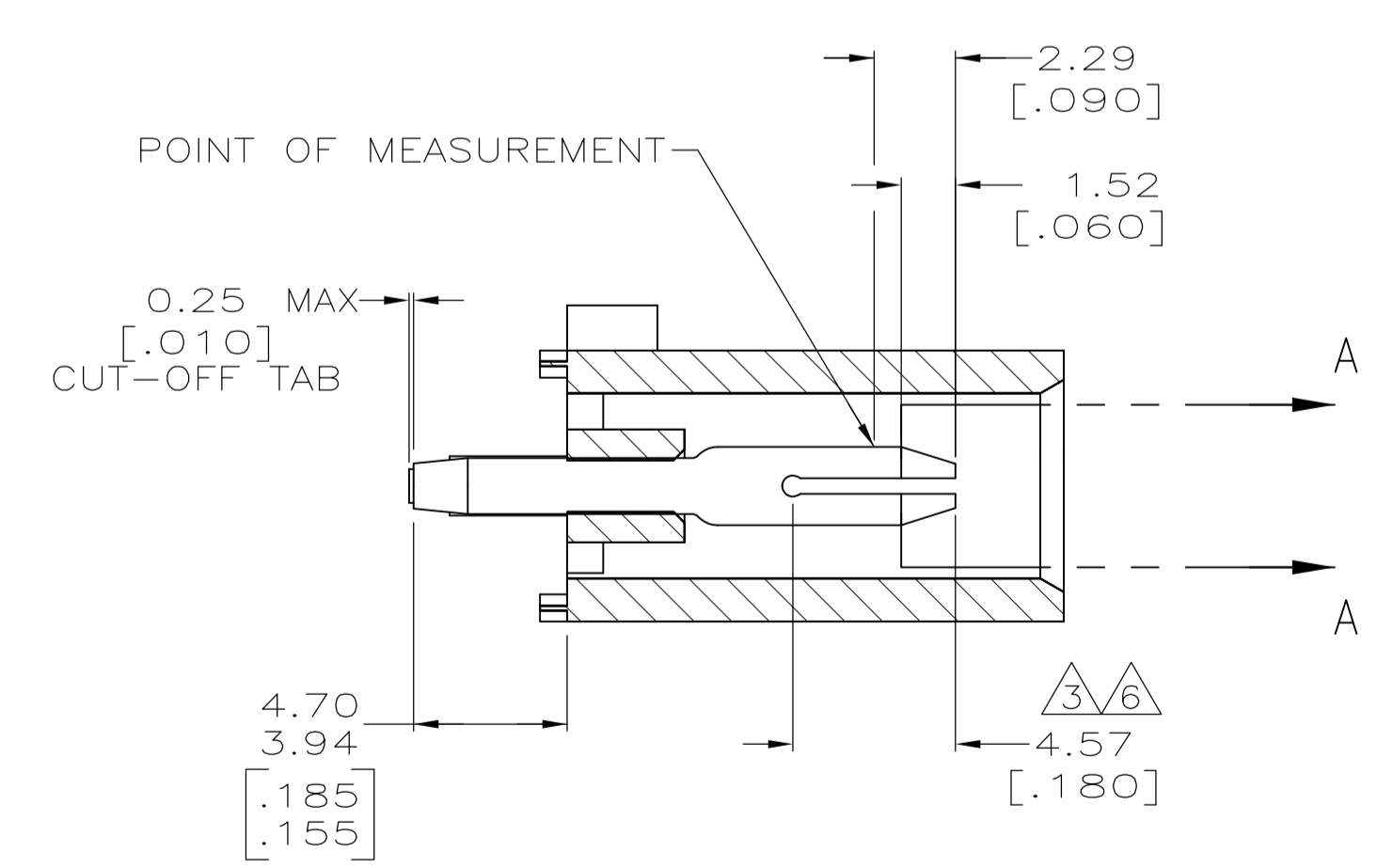


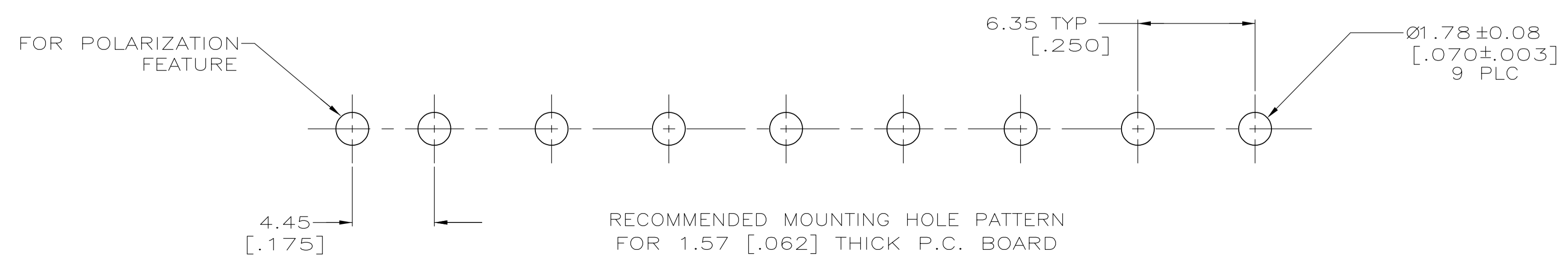
- 1 PARTS COMPLY TO AMP SOLDERABILITY SPECIFICATION 109-11-3.
- 2 CIRCUIT IDENTIFICATION CHARACTERS ARE ADJACENT TO THE INDICATED CAVITIES, BUT LOCATION AND ORIENTATION MAY DIFFER FROM PRINT.
- 3 CONTACT IS PLATED OVERALL WITH 0.00127 [.000050] NICKEL, THEN 0.00076 [.000030] GOLD OVER CONTACT LENGTH INDICATED AND MATTE TIN LEAD ON SOLDER TAIL END.
- 4 DIMENSIONS IN BRACKETS ARE IN INCHES.
- 5 IDENTIFICATION WILL APPEAR AT CIRCUIT NO. 1, OTHERS OPTIONAL.
- 6 CONTACT IS PLATED OVERALL WITH 0.00127 [.000050] NICKEL, THEN 0.00076 [.000030] GOLD OVER CONTACT LENGTH INDICATED AND MATTE TIN ON SOLDER TAIL END.
- 7 SUPERSEDED BY 643410-3



3-DIMENSIONAL MODEL NTS



SECTION A-A SCALE 10:1



PHOSPHOR BRONZE, GOLD	NYLON, UL94V-0, WHITE	643410-3
PHOSPHOR BRONZE, GOLD	NYLON, UL94V-0, WHITE	643410-2
PHOSPHOR BRONZE, PRE-TIN	NYLON, UL94V-0, WHITE	643410-1
PIN CONTACT MATERIAL AND FINISH	HOUSING MATERIAL	PART NUMBER

THIS DRAWING IS A CONTROLLED DOCUMENT.		DIN L McEACHIN 07-JAN-2000	TE Connectivity
DIMENSIONS: mm [INCHES]		CHK K COBLE 07-JUN-2000	
TOLERANCES UNLESS OTHERWISE SPECIFIED:		APVD K COBLE 07-JUN-2000	NAME
0 PLC ± -	1 PLC ± -	PRODUCT SPEC	PIN HEADER ASSEMBLY, POLARIZED, 8 CIRCUIT UNIVERSAL MATE-N-LOK™
2 PLC ± 0.13 [.005]	3 PLC ± -	APPLICATION SPEC	
4 PLC ± -	ANGLES ± 0.30°	WEIGHT	SIZE
MATERIAL SEE TABLE	FINISH SEE TABLE	CUSTOMER DRAWING	A1 00779 C=643410
		SCALE 5:1	SHEET 1 OF 1
		REV N1	